

AquaFIRE

Ignite the Scene, Captivate the Crowd !



AquaFIRE is designed to produce stunning visual effects using fire, aiming to captivate audiences with its dramatic displays. These specialized nozzles are engineered to emit flames that synchronize perfectly with the rhythm of music, water effects, or lasers, creating an immersive and dynamic show. The system features an igniter burn protection mode, ensuring the safest way to incorporate fire into performances. The visual allure and the comforting warmth of the flames are intended to enchant viewers, adding a mesmerizing and thrilling element to any event.

The combination of fire with other sensory elements like music and water effects enhances the overall experience, making AquaFIRE a versatile tool for spectacular shows. Whether used in large public events or smaller gatherings, AquaFIRE's ability to seamlessly integrate with various show components makes it a standout feature.



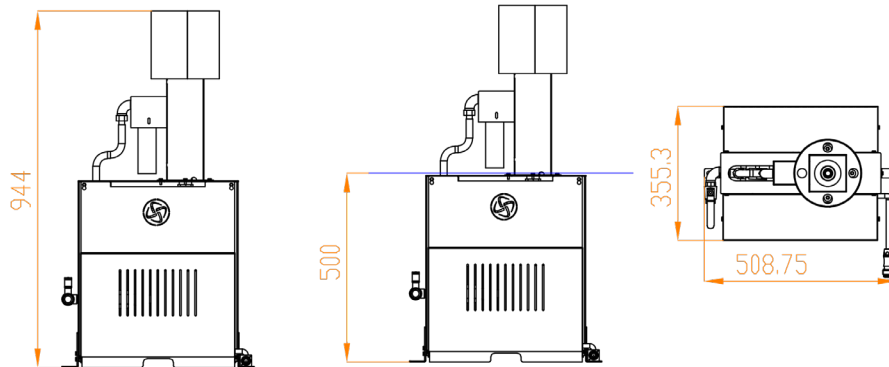
- ✓ Robust Stainless Steel Body
- ✓ 24VDC Powered & IP68 Socket Connection
- ✓ DMX-RDM Controlled
- ✓ Synchronorm Dependence Library available
- ✓ Different Nozzle Types
- ✓ Ignition Protection Mode



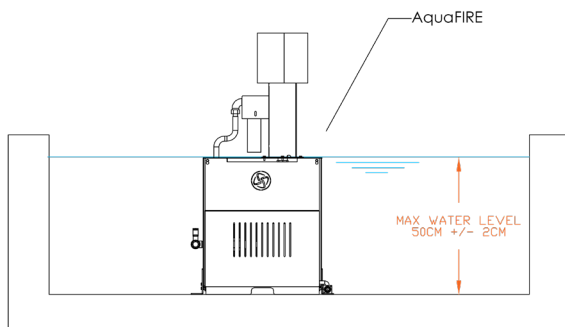
TECHNICAL DETAILS

MODEL : AquaFIRE	FUEL TYPE : LNG, Propane, LPG
DIA : 42x35x98	ELECTRICAL CONNECTION: IP68 Socket & Marine Cable
MATERIAL : Stainless Steel	DRIVING TYPE : DMX
NET WEIGHT : 30 kg	VOLTAGE : 24 VDC
GAS CONNECTION SIZE : G 1/2	POWER : 150 W
BUFFER TANK CAPACITY : 2,5lt approx.	DMX CHANNEL QUANTITY : 4
AMBIENT PRESSURE : 2 bar aprox	PRODUCT NO : 1130

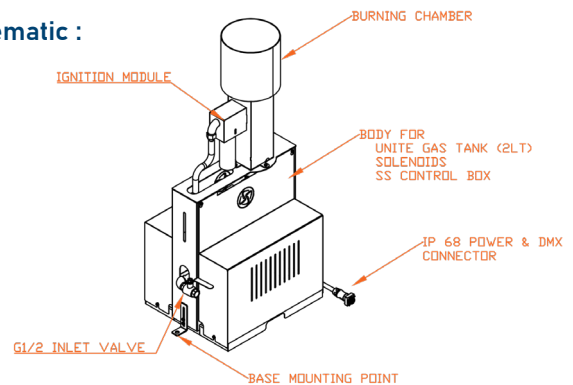
Schematic :



Water Level Schematic :



Schematic :



Connection Schematic :

