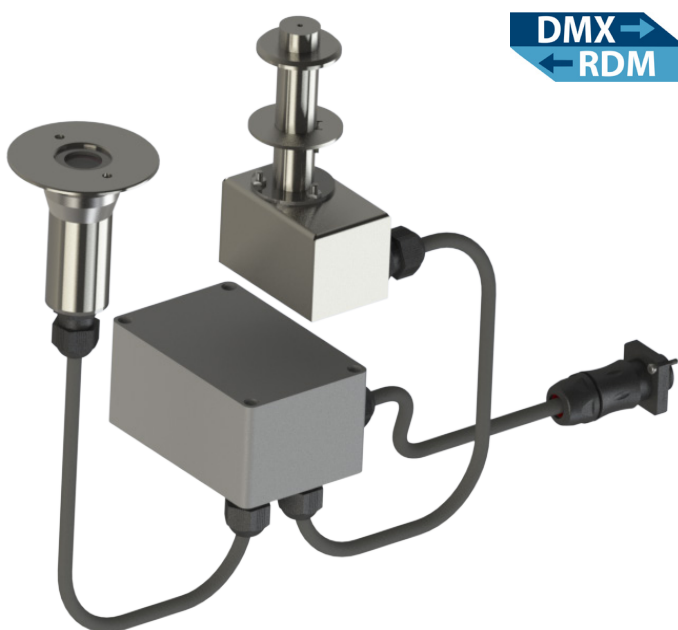


AquaPOP JET

The Perfect Addition to Reflection Ponds



Our AquaPOPJET is designed to create a graceful water droplet effect that beautifully complements reflective pools and sophisticated applications. This refined fountain produces delicate water droplets that dance in the air, adding a touch of serenity and charm to any setting. Ideal for gardens, upscale venues, and artistic installations, it enhances the ambiance with its soothing visuals and gentle sounds. The design not only highlights the beauty of water but also reflects light in captivating ways, making it a stunning centerpiece for any reflective surface. Elevate your outdoor or indoor space with this exquisite fountain, creating an enchanting atmosphere that delights all who experience it.



- ✓ Delicate Droplet Effect
- ✓ IP 68, 24VDC Solenoid Valve System
- ✓ Integrated 3W RGB Power Led Lighting
- ✓ Robust Stainless Steel Body
- ✓ 24VDC Powered & DMX-RDM Controlled
- ✓ IP68 Socketed One Cable Connection
- ✓ Synchronorm Depence Library available

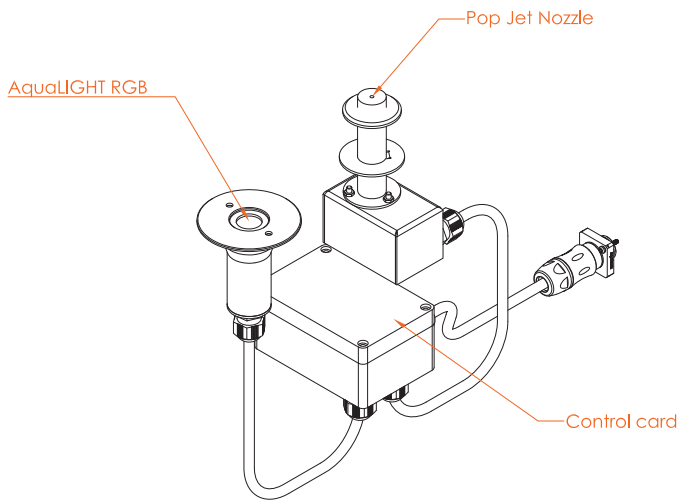


COMPATIBLE ELEMENTS AND ACCESSORIES

PRODUCT GROUP	SEE
Nozzles :	Accessory nozzles
Connection :	Connection accessories
Controlling :	Control accessories
Holder and Stand :	Holder and Stand Accs.

TECHNICAL DETAILS

MODEL :	POPJET
DIMENSION (ØxH) :	3x287 mm
MATERIAL :	Stainless Steel
WEIGHT :	1 kg
POWER & DMX :	Combo Cable
CURRENT :	1 A
POWER :	24 W
VOLTAGE :	24 VDC
MAX PRESSURE :	2 Bar
PRODUCT NO :	1090



The AquaPOP JET nozzle adds a stunning effect to reflecting pool designs by creating a ball of water that gracefully propels above the surface, forming delicate ripples and patterns upon landing. This effect can be enhanced with compact RGB, RGBW, or White LED AquaLIGHTs to illuminate the airborne water drops. As a “low flow” nozzle, AquaPOP JET requires minimal power, making it energy efficient. Its ability to create unique effects with low water volume makes it ideal for sustainably responsible projects.

Schematic :

