

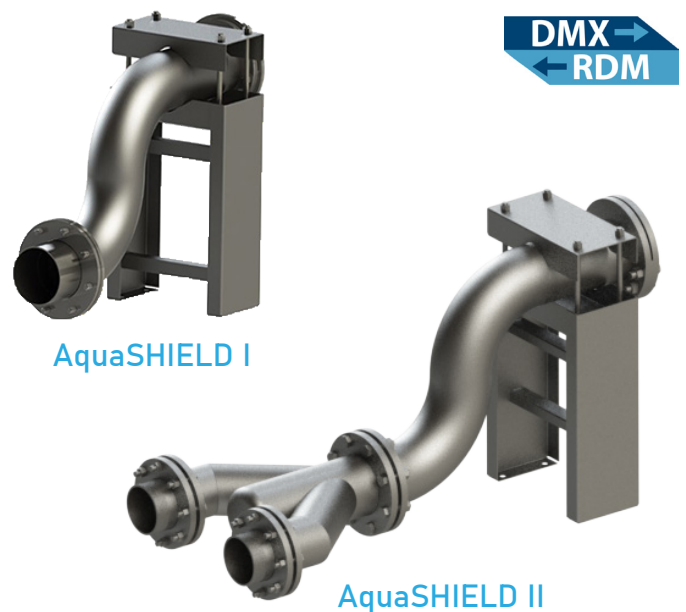
AquaSHIELD

Elevate Your Visual Experiences



AquaSHIELD's primary function is to create a thin water surface that acts as a screen for multimedia or laser shows. This advanced system can even be utilized to display movies, providing a versatile platform for various visual presentations. The AquaSHIELD system features a 180-degree water range, and the thickness of the water film is adjustable to suit different projection needs. It offers two distinct units to accommodate various screen sizes, ensuring flexibility in its application. The system's maximum horizontal range extends up to 26 meters, allowing for expansive display surfaces. Additionally, the water can reach a maximum height of 15 meters, making it suitable for both intimate and large-scale settings. The AquaSHIELD operates efficiently at a working pressure range of 7-11 bar, ensuring reliable performance. With these specifications, AquaSHIELD stands out as a cutting-edge solution for dynamic and immersive visual experiences.

- ✓ Robust Stainless Steel Body
- ✓ 180 clear water display
- ✓ Ideal for Video and Laser Projection
- ✓ Adjustable film thickness
- ✓ The gap of the nozzle can be placed singular
- ✓ An extra flow regulation pipe is not required



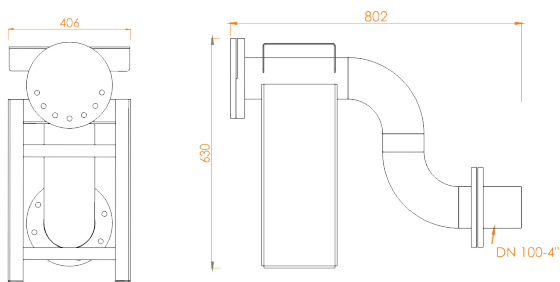


TECHNICAL DETAILS

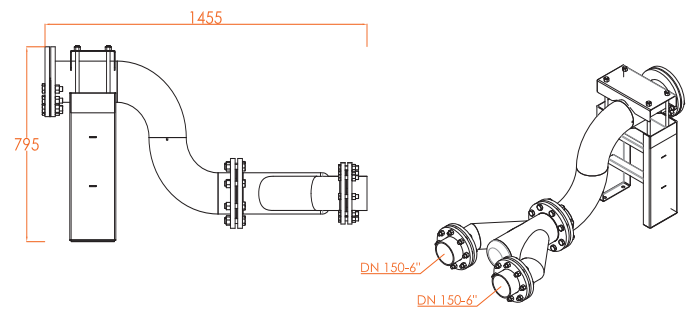
MODEL :	AquaSHIELD I
DIMENSION(LxMxH) :	802x406x630 mm
MATERIAL :	Stainless Steel
MAX. PRESSURE :	7 bar
WATER INLET :	DN 100-4" NPT
WATER RANGE :	10 m
PRODUCT NO :	1240

MODEL :	AquaSHIELD II
DIMENSION(LxMxH) :	1455x400x795 mm
MATERIAL :	Stainless Steel
MAX. PRESSURE :	11 bar
WATER INLET :	DN 150-6" NPT
WATER RANGE :	15 m
PRODUCT NO :	1241

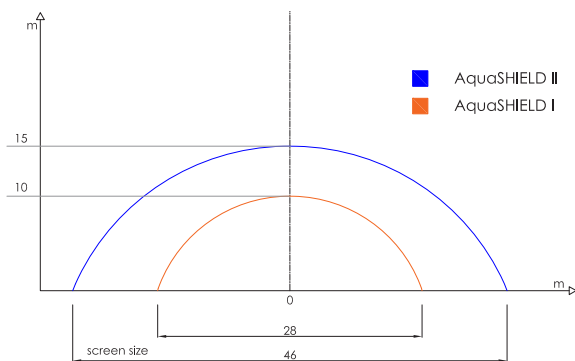
AquaSHIELD I Schematic :



AquaSHIELD II Schematic :



AquaSHIELD Screen Size Schematic :



COMPATIBLE ELEMENTS AND ACCESSORIES

PRODUCT GROUP	SEE
Nozzles :	Accessory nozzles
Connection :	Connection accessories
Controlling :	Control accessories
Holder and Stand :	Holder and Stand Accs.
Lighting :	Lighting Series

