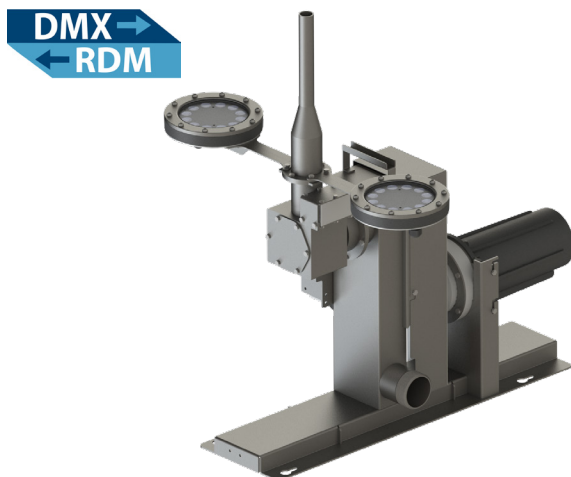


AquaSWING

Adding Swing to Water



Experience the enchantment of dancing water with our state-of-the-art AquaSWING moving nozzles. Controlled by DMX, this high-performance nozzle brings your fountain to life, creating mesmerizing water patterns that swirl and leap in perfect harmony. Even with its single-axis design, AquaSWING offers incredible possibilities, pivoting 180° on the X-axis. The unit, controlled by one sensor and motor, amazes with its seamless performance and compact design, standing out among similar products. Adding dynamic effects with AquaSWING will elevate the charm and appeal of your fountain.



- ✓ Robust Stainless Steel Body
- ✓ 24VDC Powered & DMX-RDM Controlled
- ✓ Servo Drive Control on Axis
- ✓ Different Nozzle Types With Flange Connection
- ✓ 180° Moving Angle on Axis
- ✓ Park Position and Zero Position Commands
- ✓ AquaLIGHT x2 (Optional)
- ✓ IMU Sensor Integrated for Auto Calibration
- ✓ IP68 Socket One Cable Connection
- ✓ Synchronorm Dependence Library available



NOZZLE TYPE
Ø 17 **Ø 20** **Ø 23**

TECHNICAL DETAILS

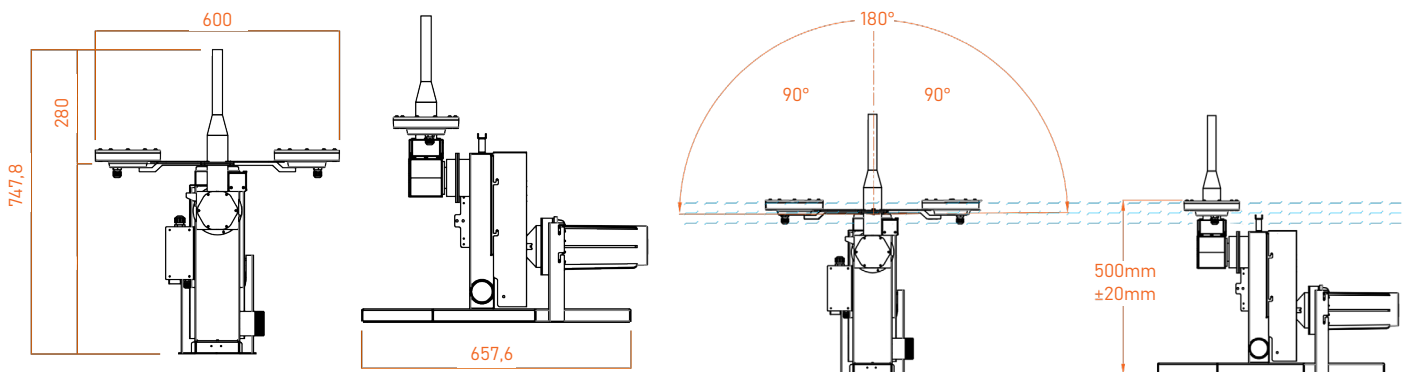
MODEL :	AquaSWING
DIMENSION (LxMxH) :	600x625x735 mm
MATERIAL :	Stainless Steel
WEIGHT :	13 kg
POWER & DMX :	Combo Cable
MAX PRESSURE :	3.3 Bar
CURRENT :	1 A
POWER :	24 W
VOLTAGE :	24 VDC
PRODUCT NO :	1002

HEIGHT (M)	I/ min	bar	I/ min	bar	I/ min	bar
2.00 :	88	0.25	115	0.28	124	0.30
3.00 :	109	0.32	141	0.40	160	0.47
5.00 :	141	0.68	200	0.57	240	0.76
7.50 :	175	0.91	256	0.84	300	1.12
10.00 :	200	1.24	294	1.28	350	1.55
12.50 :	226	1.55	335	1.57	420	1.82
15.00 :			360	1.91	443	2.30
20.00 :			420	2.62	550	2.90

COMPATIBLE ELEMENTS AND ACCESSORIES

PRODUCT GROUP	SEE
Nozzles :	Accessory nozzles
Connection :	Connection accessories
Controlling :	Control accessories
Holder and Stand :	Holder and Stand Accs.
Lighting :	Lighting Series

Schematic :



Electrical Connection Schematic :

