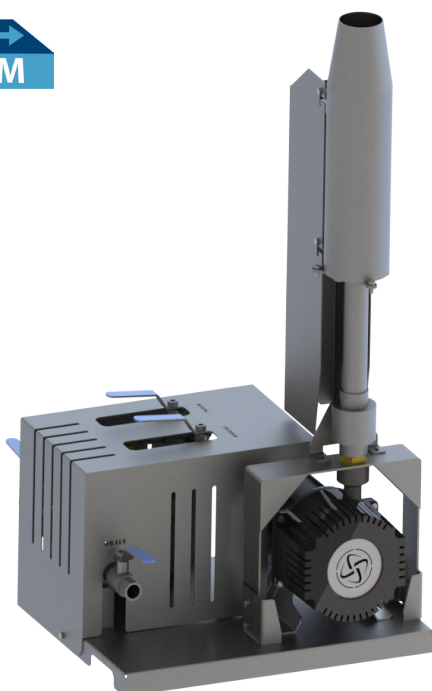


AquaTORCH

The Perfect Fusion of Water and Flame !



This unique nozzle transforms ordinary fountains into extraordinary focal points by integrating flames that dance atop flowing water. Engineered for both beauty and reliability, AquaTORCH brings a unique blend of warmth and elegance to any outdoor space. Elevate your fountain designs with the enchanting glow of fire, creating unforgettable atmospheres that captivate audiences day or night.



- ✓ DMX Controlled Solenoid & Ignition System
- ✓ Burn Protection Feature
- ✓ 150W Submersible DC Pump
- ✓ 1xAquaLIGHT Lighting Option
- ✓ 24VDC Powered & DMX-RDM Controlled
- ✓ IP68 Socketed One Cable Connection
- ✓ Synchronorm Dependence Library available
- ✓ Robust Stainless Steel Body



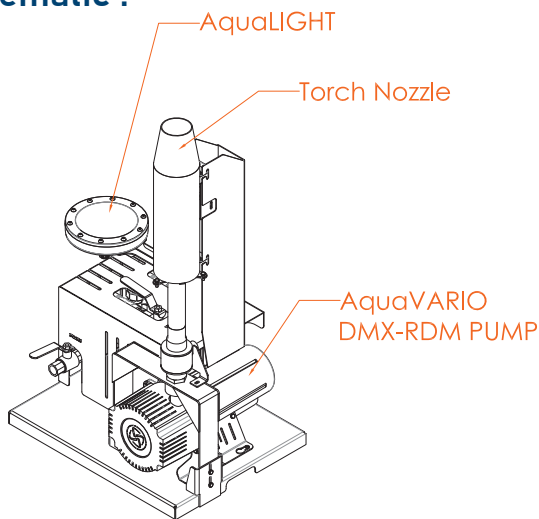
TECHNICAL DETAILS

MODEL :	AquaTORCH
DIMENSION (LxMxH) :	460x354x830 mm
MATERIAL :	Stainless Steel
POWER & DMX :	Combo Cable
CURRENT :	5 A
POWER :	150 W
VOLTAGE :	24 VDC
MAX WATER HEIGHT :	2.5 m
PRODUCT NO :	1125

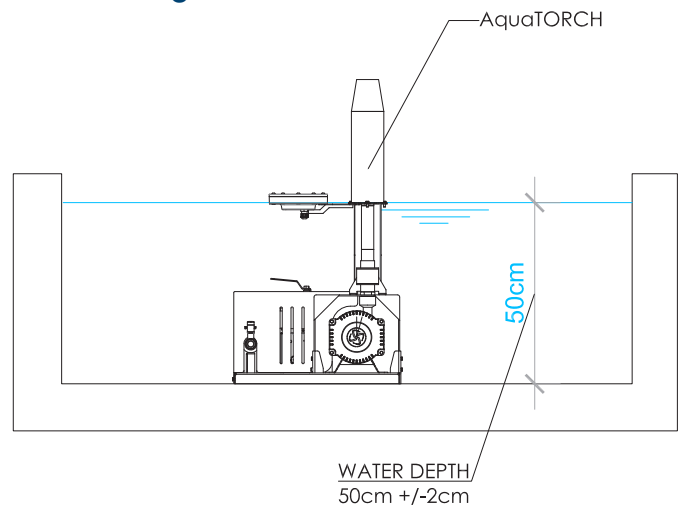
COMPATIBLE ELEMENTS AND ACCESSORIES

PRODUCT GROUP	SEE
Nozzles :	Accessory nozzles
Connection :	Connection accessories
Controlling :	Control accessories
Holder and Stand :	Holder and Stand Accs.
Lighting :	Lighting Series

Schematic :



Water Height Schematic :



Electrical Connection Schematic :

