

AquaTUBE

Tubular Water Magic



AquaTUBE delivers the delight of an animated pool experience without the need for a direct water connection. The bucket design accommodates its own water capacity, and each unit includes an individual 24 VDC submersible pump. With a plexiglass structure, it effectively dampens the noise from high water levels used in animations, ensuring a quiet environment. Additionally, the system operates entirely in a dry atmosphere.

- ✓ Decorative Indoor Water Feature Unit
- ✓ 2m/3m Height Water Column in Plexiglass Tube
- ✓ 24VDC AquaVARIO Pump and AquaLIGHT-C included
- ✓ Robust Stainless Steel Body Single Module Option
- ✓ Stylish Wooden Frame Trio Module Option
- ✓ 24VDC Powered & DMX-RDM Controlled
- ✓ IP68 Socketed One Cable Connection
- ✓ Synchronorm Depence Library available



AquaTUBE II



AquaTUBE III



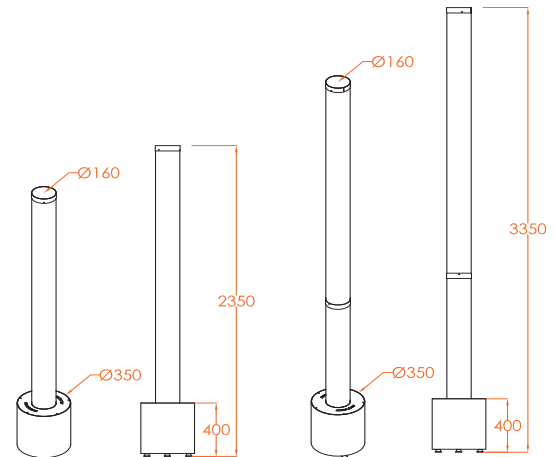
TECHNICAL DETAILS

| |
|--------------------------------------|
| MODEL : AquaTUBE II |
| DIMENSION : 350 x 2350 mm |
| MATERIAL : Stainless Steel |
| MAX. HEIGHT : 2 m |
| POWER & DMX : Combo Cable |
| WATER INLET : 1 ½" NPT |
| PRODUCT NO : 1070 |

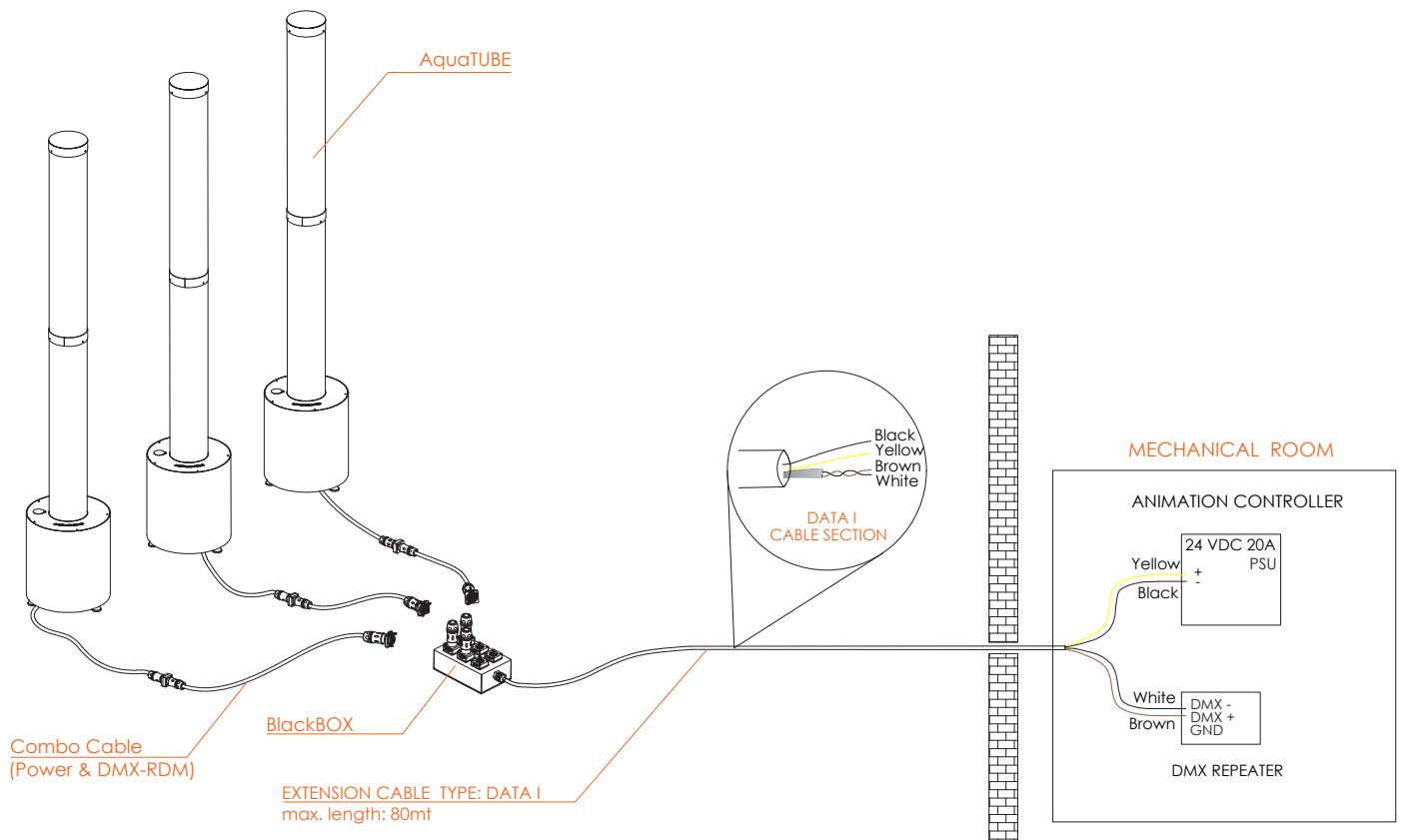
| |
|--------------------------------------|
| MODEL : AquaTUBE III |
| DIMENSION : 350 x 3350 mm |
| MATERIAL : Robust Stainless |
| MAX. HEIGHT : 3 m |
| POWER & DMX : Combo Cable |
| WATER INLET : 1 ½" NPT |
| PRODUCT NO : 1071 |

COMPATIBLE ELEMENTS AND ACCESSORIES

| PRODUCT GROUP | SEE |
|---------------------------|------------------------|
| Nozzles : | Accessory nozzles |
| Connection : | Connection accessories |
| Controlling : | Control accessories |
| Holder and Stand : | Holder and Stand Accs. |
| Lighting : | Lighting Series |

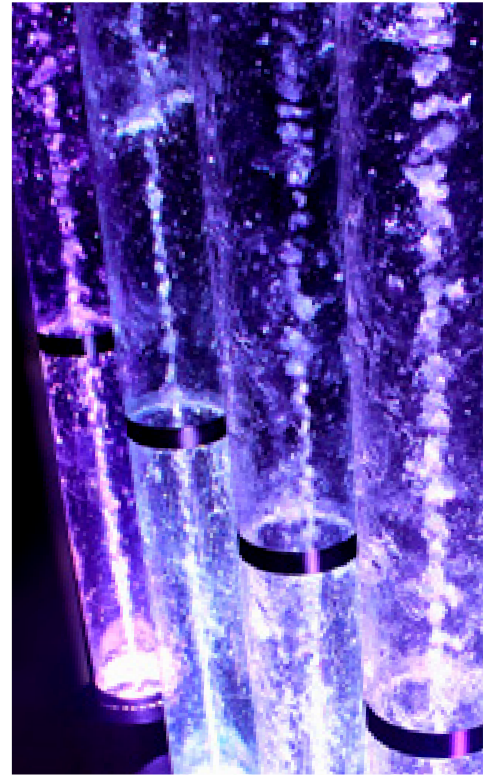


Electrical Connection Schematic :



AquaTUBE Triple Wooden Set

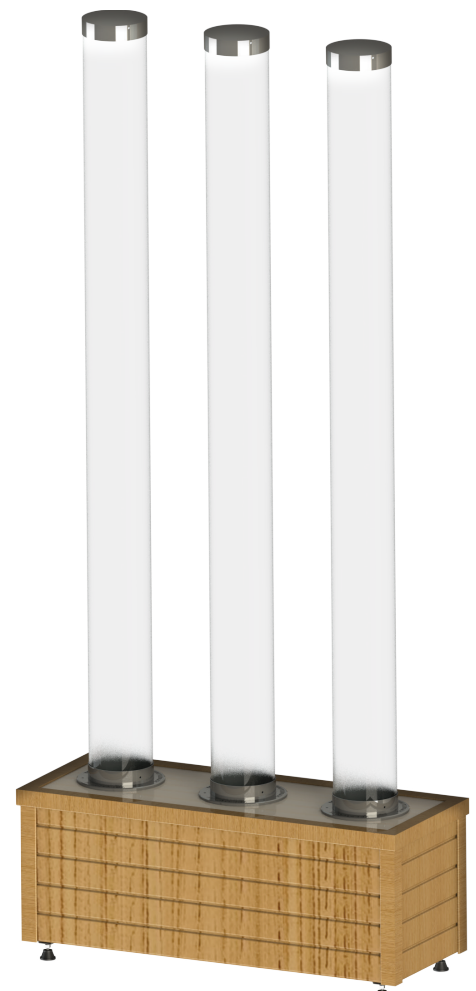
Wooden Type



AquaTUBE offers the delight of an animated pool experience without requiring a water connection. Its bucket design includes a built-in water reservoir, with each unit featuring an individual 24 VDC submersible pump. This unique setup ensures independent operation without an external water source, making it ideal for indoor settings.

The plexiglass construction dampens the noise generated by high water levels during animations, ensuring a quiet environment. The dynamic and captivating water effects create a mesmerizing visual experience. The system's self-contained nature also makes it easy to maintain, with minimal water loss and reduced need for frequent refills.

- ✓ 24VDC SUB-PUMP 1
- ✓ DMX-RDM Controlled
- ✓ Wooden Frame
- ✓ Different Nozzle Types
- ✓ AquaLIGHT-C x 3



AquaTUBE Triple Wooden Set



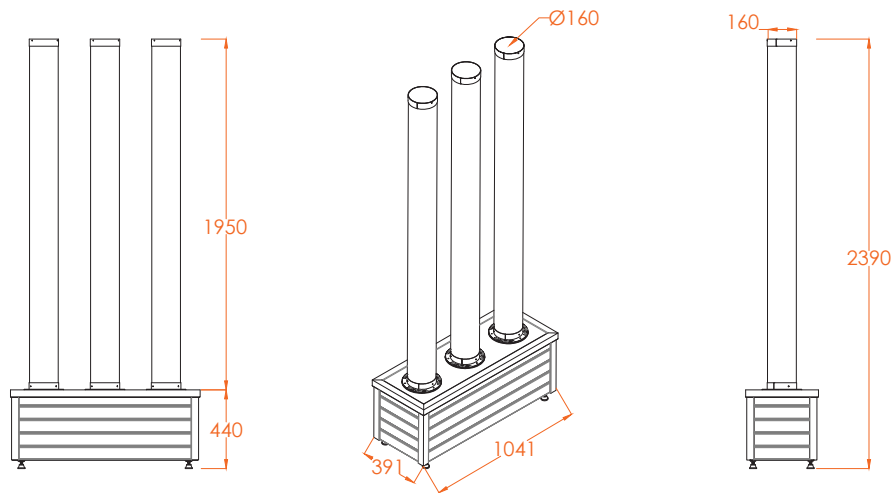
TECHNICAL DETAILS

| | |
|---------------|-------------------------|
| MODEL : | AquaTUBE Wooden Set |
| DIMENSION : | 1041 x 391 x 2390 mm |
| MATERIAL : | Stainless Steel +Wooden |
| MAX. HEIGHT : | 2 m |
| POWER & DMX : | Combo Cable |
| WATER INLET : | 1 ½" NPT |
| PRODUCT NO : | 5330 |

COMPATIBLE ELEMENTS AND ACCESSORIES

| PRODUCT GROUP | SEE |
|--------------------|------------------------|
| Nozzles : | Accessory nozzles |
| Connection : | Connection accessories |
| Controlling : | Control accessories |
| Holder and Stand : | Holder and Stand Accs. |
| Lighting : | Lighting Series |

Schematic :



Electrical Connection Schematic :

