

AquaVARIO

The Golden Star of AquaTronic



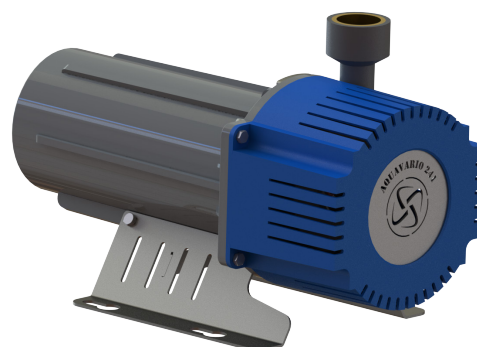
Introducing our 24V DMX Programmable Pumps, designed to bring unparalleled control and creativity to your water features! These advanced pumps offer seamless integration with DMX lighting systems, allowing you to synchronize water flow with lighting effects for a truly immersive experience. With programmable settings, you can easily customize flow rates, durations, and patterns to create stunning visual displays tailored to any event or environment. Ideal for fountains, water shows, and artistic installations, our 24V DMX Programmable Pumps ensure reliability and precision in every performance. With these AquaVARIO Pumps, transform your vision into reality.

- ✓ Sub Pumps Series for Animated Fountain Legs
- ✓ Models based on Power Consumptions: 120W - 150W - 240W - 270W
- ✓ Engineering Thermoplastic Body with Robust Stainless Steel Legs
- ✓ 24VDC / 36VDC Powered & DMX-RDM Controlled
- ✓ IP68 Socketed One Cable Connection
- ✓ Synchronorm Dependence Library available
- ✓ Different Nozzle Types
- ✓ AquaLIGHT-C x1 (Optional)
- ✓ 1" NPT Brass Output
- ✓ Over-current Protection Mode

DMX →
← RDM



AquaVARIO 151



AquaVARIO 241



TECHNICAL DETAILS

| | |
|----------------------------|-----------------|
| MODEL : | AquaVARIO 241 |
| DIMENSION (LxMxH) : | 328x147x143 mm |
| MATERIAL : | Stainless Steel |
| WEIGHT : | 5 kg |
| POWER & DMX : | Combo Cable |
| CURRENT : | 10 A |
| POWER : | 240 W |
| VOLTAGE : | 24 VDC |
| MAX PRESSURE : | 0.5 Bar |
| PRODUCT NO : | 1051 |

| | |
|----------------------------|-----------------|
| MODEL : | AquaVARIO 151 |
| DIMENSION (LxMxH) : | 328x150x200 mm |
| MATERIAL : | Stainless Steel |
| WEIGHT : | 7 kg |
| POWER & DMX : | Combo Cable |
| CURRENT : | 5.5 a |
| POWER : | 120/150 W |
| VOLTAGE : | 24 VDC |
| MAX PRESSURE : | 0.5 Bar |
| PRODUCT NO : | 1050 |

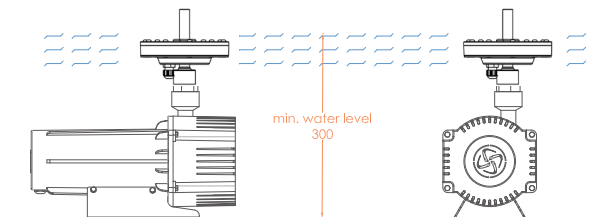
The AquaVARIO 241 is the most powerful DMX-RDM pump equipped with 24 VDC technology. It includes a 24VDC stainless steel pump, up to 72W RGBW lighting, a variety of nozzles, and a DMX control unit, making it versatile for any location. The AquaVARIO 241 can produce fountains up to 4.5 meters high with a Ø12 nozzle and up to 4.35 meters high with a Ø14 nozzle, delivering impressive water displays.

The AquaVARIO 151, a standout member of the AquaTronic family, features RDM integrated DMX speed control. This 24V DC submersible pump is ready for both indoor and outdoor applications. Its wide range of nozzles and up to 22W RGBW lighting options make the AquaVARIO 151 an essential tool for animation and visual effects.

Nozzle Type :



Water Level Schematic :

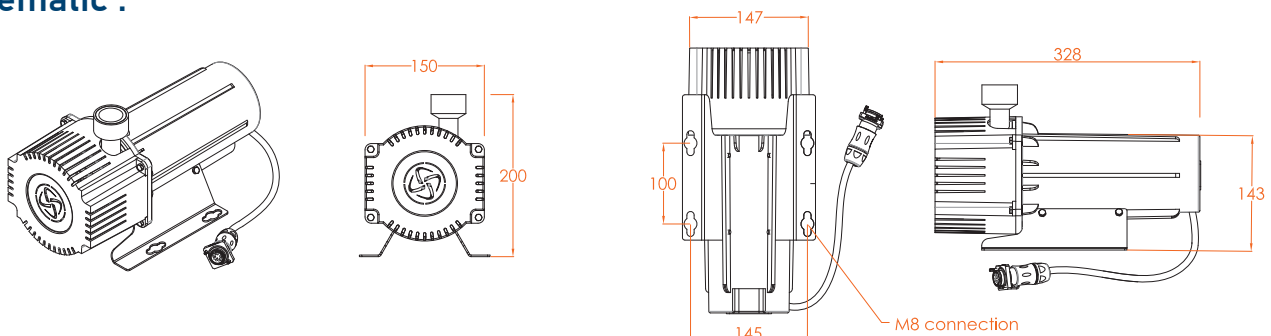


"A group of devices equipped with individual pumps offers unlimited design opportunities for 3D effects. The AquaVARIO 241 surpasses the AquaVARIO 151 in terms of features. While one unit operates water at a height of 1 foot, another can manage water up to 4 meters. This flexibility allows for diverse and dynamic water displays.

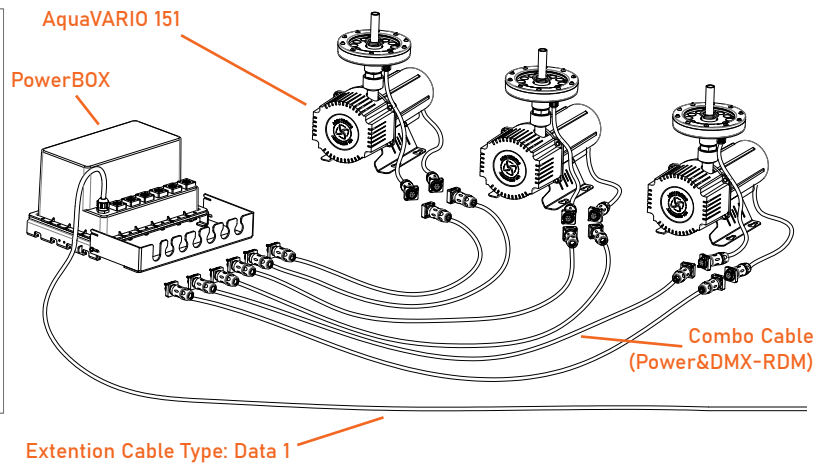
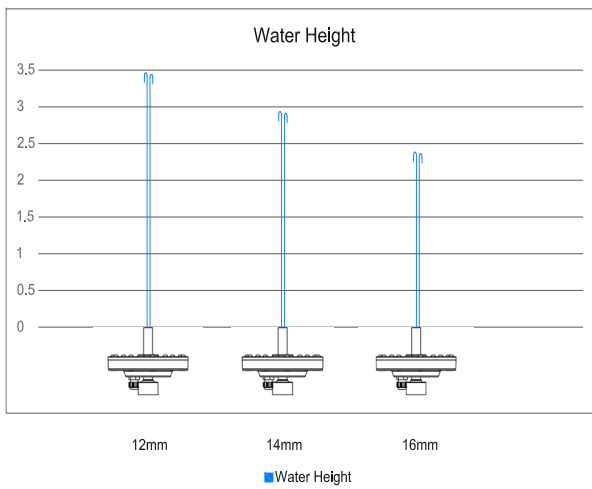
COMPATIBLE ELEMENTS AND ACCESSORIES

| PRODUCT GROUP | SEE |
|---------------------------|------------------------|
| Nozzles : | Accessory nozzles |
| Connection : | Connection accessories |
| Controlling : | Control accessories |
| Holder and Stand : | Holder and Stand Accs. |
| Lighting : | Lighting Series |

Schematic :



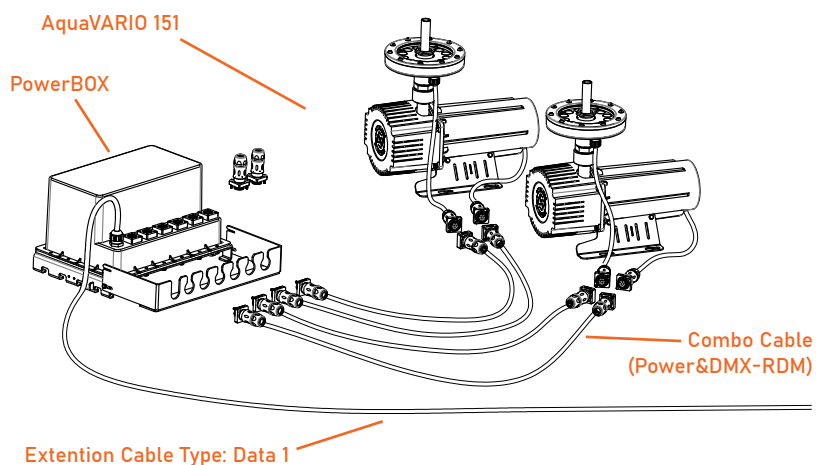
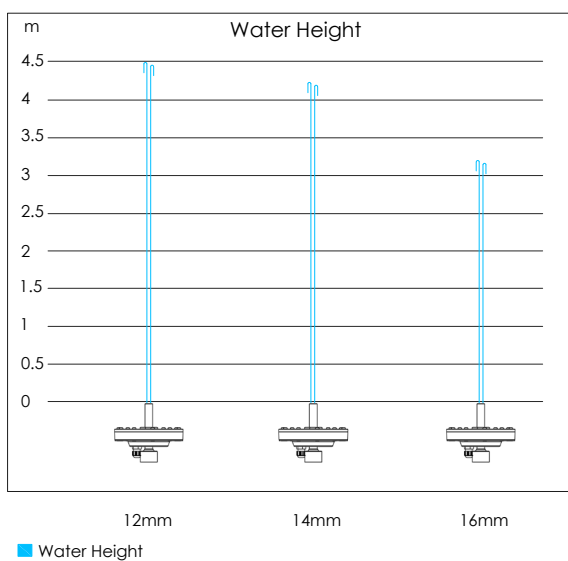
AquaVARIO 151



A group of water features equipped with individual AquaVARIO 151 devices offers the opportunity for unlimited 3D effects. While one device operates at a water height of 1 foot, another can function at a water height of up to 3 meters. In the blink of an eye, the water height can range from 0 to 3 meters, allowing for dynamic and captivating water displays.

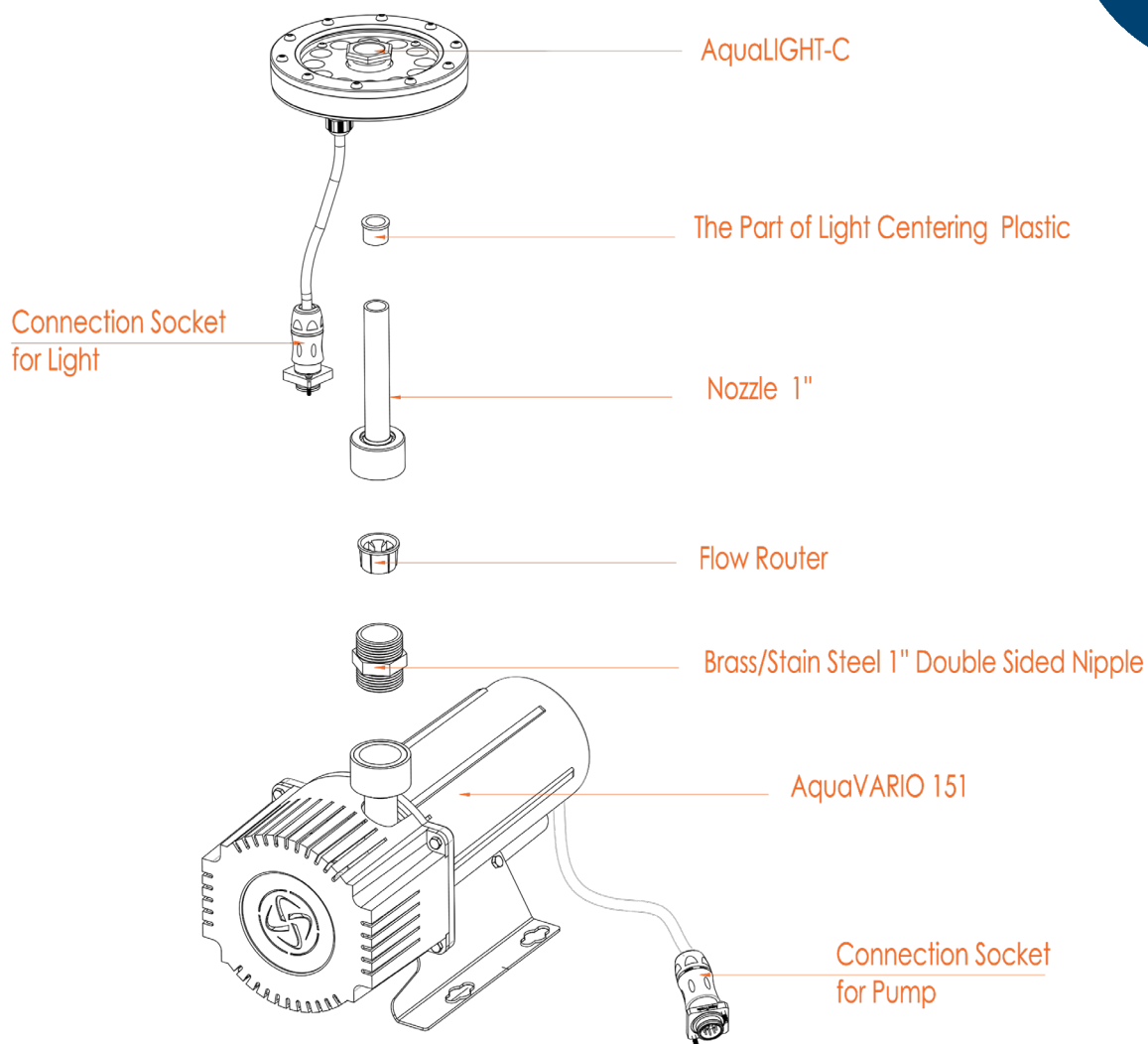


AquaVARIO 241



A collection of water features equipped with individual AquaVARIO 241 units provides endless possibilities for 3D effects. One device can operate at a water height of 1 foot, while another can handle up to 3 meters. In an instant, the water height can transition from 0 to 4.5 meters, enabling dynamic and mesmerizing water displays.

AquaVARIO



AquaVARIO DryDECK



DryDECKs are ground nozzles installed flush with the ground, maintaining a near-zero height and zero water level, hence the term "dry pool." These systems are designed for interactive entertainment, allowing users to walk between the nozzles, get wet, and have fun.

Primarily used by children, these nozzles are crafted with safety in mind without compromising enjoyment. There are various types available, each offering a unique experience. A more professional version is also available for use in light and water shows, featuring higher water jets and integrated lighting for added visual appeal.



- ✓ RGB or RGBW power LED Light (OPTIONAL)
- ✓ Robus Stainless Steel Body
- ✓ 2 Different Nozzle Type
- ✓ DMX-RDM Controlled
- ✓ Synchronorm Dependence Library available

AquaVARIO DryDECK



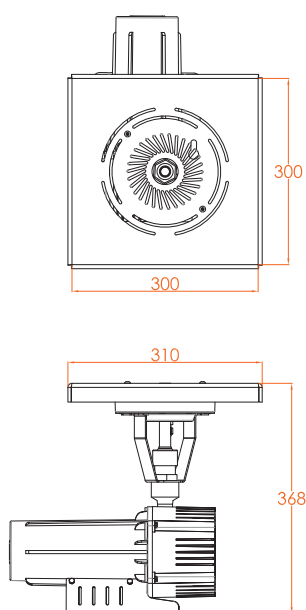
TECHNICAL DETAILS

| | |
|---------------------|-------------------|
| MODEL : | DryDECK AquaVARIO |
| DIMENSION (LxMxH) : | 300x300x368 mm |
| MATERIAL : | Stainless Steel |
| WEIGHT : | 7 kg |
| POWER & DMX : | Combo Cable |
| CURRENT : | 1.5 A |
| POWER : | 18 W |
| VOLTAGE : | 24 VDC |
| MAX PRESSURE : | 0.3 Bar |

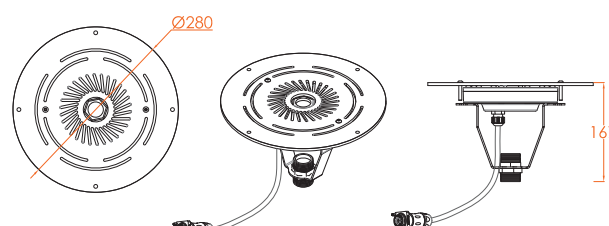
COMPATIBLE ELEMENTS AND ACCESSORIES

| PRODUCT GROUP | SEE |
|--------------------|------------------------|
| Nozzles : | Accessory nozzles |
| Connection : | Connection accessories |
| Controlling : | Control accessories |
| Holder and Stand : | Holder and Stand Accs. |
| Lighting : | Lighting Series |

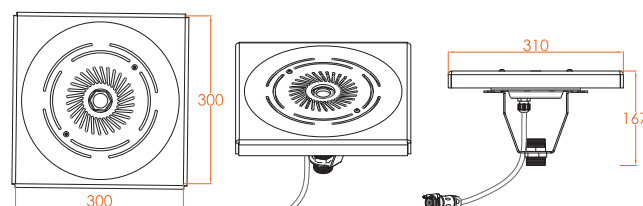
Schematic :



Top Plate Options :

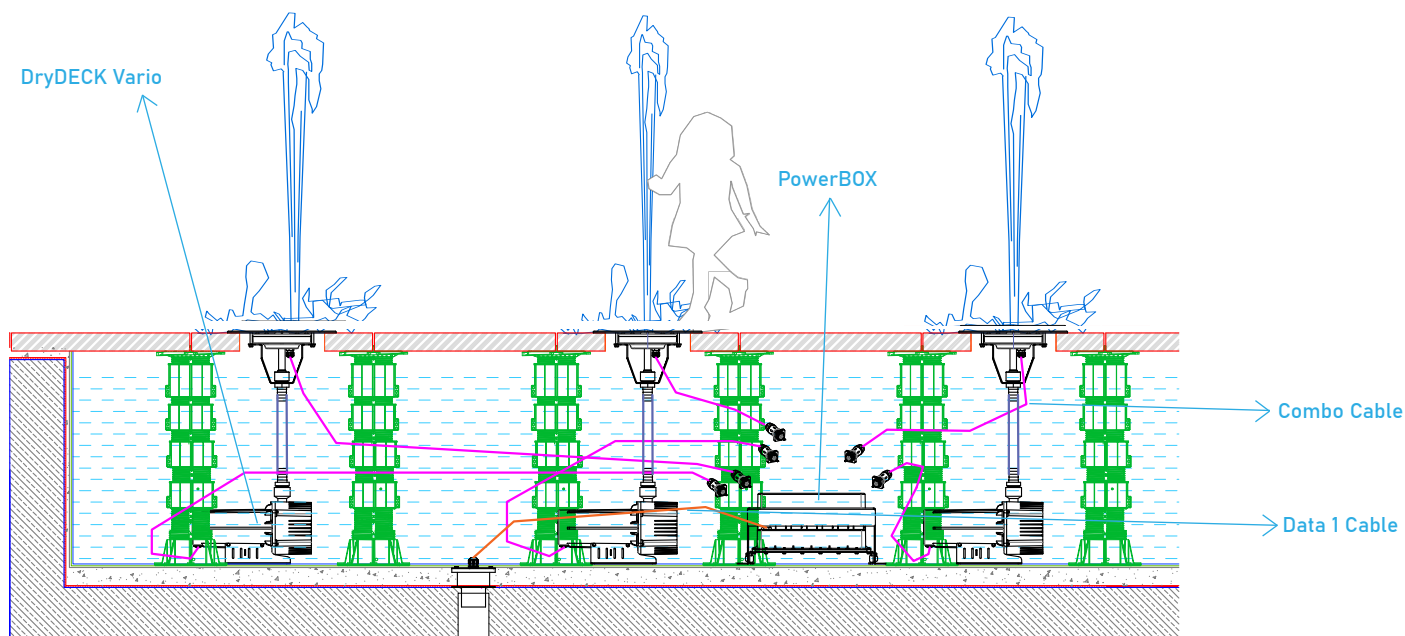


i Top Plate thickness is 5mm.
Top Plate Round Ø 280 with Top Plate Holder.



i Top Plate thickness is 30mm.
Top Plate Premium 30x30 with Top Plate Holder.

Connection Schematic :



AquaVARIO DryDECK Bucket



The innovative DryDECK Switch features a specially engineered plastic body that allows water flow control with a single solenoid, unlike the classic two-solenoid design.

This advancement reduces the on-off time to 0.1 second, resulting in more dynamic animations. Each unit's water height is precisely managed by its own individual 24VDC sub-pump. With endless animation possibilities, this system is designed to bring your creative visions to life.



- ✓ RGB or RGBW power LED Light (OPTIONAL)
- ✓ Robus Stainless Steel Body
- ✓ 2 Different Nozzle Type
- ✓ DMX-RDM Controlled
- ✓ Synchronorm Dependence Library available



AquaVARIO DryDECK Bucket



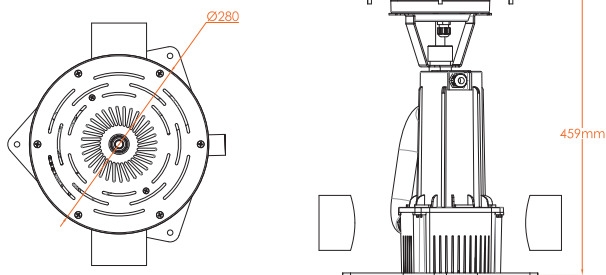
TECHNICAL DETAILS

| | |
|---------------------|--------------------------|
| MODEL : | DryDECK AquaVARIO Bucket |
| DIMENSION (LxMxH) : | 280x459 mm |
| MATERIAL : | Stainless Steel |
| WEIGHT : | 15 kg |
| POWER & DMX : | Combo Cable |
| CURRENT : | 5 A |
| POWER : | 18 W |
| VOLTAGE : | 24 VDC |
| MAX PRESSURE : | 0.5 Bar |

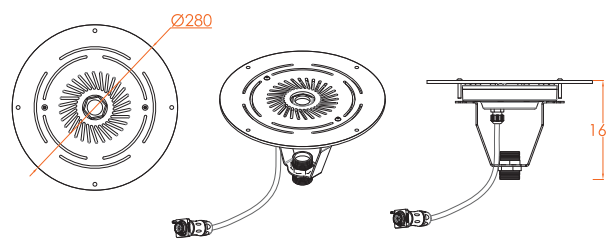
COMPATIBLE ELEMENTS AND ACCESSORIES

| PRODUCT GROUP | SEE |
|--------------------|------------------------|
| Nozzles : | Accessory nozzles |
| Connection : | Connection accessories |
| Controlling : | Control accessories |
| Holder and Stand : | Holder and Stand Accs. |
| Lighting : | Lighting Series |

Schematic :



Top Plate Options :



i Top Plate thickness is 5mm.

i Top Plate thickness is 5mm.
Top Plate Round Ø 280 with Top Plate Holder.

Connection Schematic :

