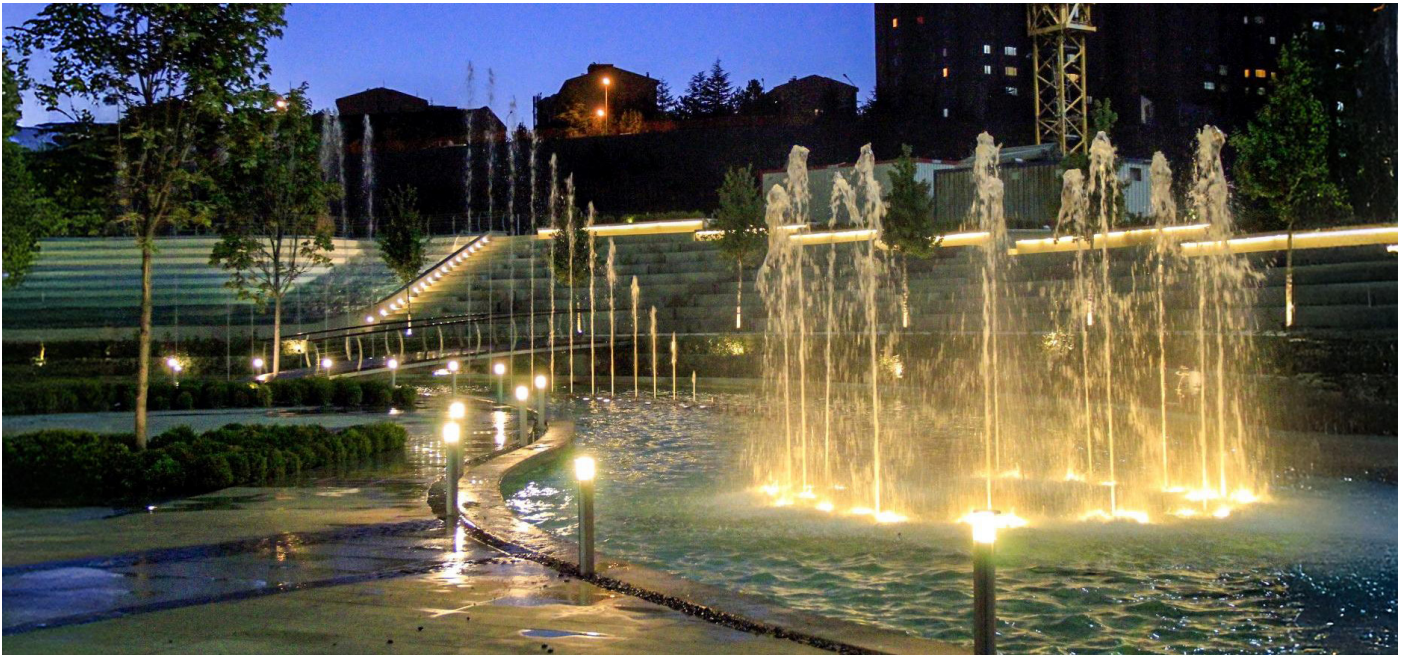


AquaSWITCH

Dynamic Water Patterns for Every Setting



Our Solenoid-Controlled AquaSWITCH nozzle is specifically designed for show fountains system, delivering exceptional performance without pressure loss or water hammer effects. This advanced nozzle enables rapid operation, allowing you to create captivating water displays at a moment's notice. It's the perfect choice for show fountains, especially DryDeck applications, and decorative water features. Enhance your aquatic displays with this easily installed nozzle and enjoy a seamless performance at every show !

- ✓ Run-Stop Function with quick response time
- ✓ 24VDC Powered & IP68 Socket Connection
- ✓ DMX-RDM Speed Controlled
- ✓ Synchronorm Dependence Library available
- ✓ Run-Stop Function
- ✓ AquaLIGHTxC (Optional)
- ✓ Power-saving electrical valve technology

DMX →
← RDM

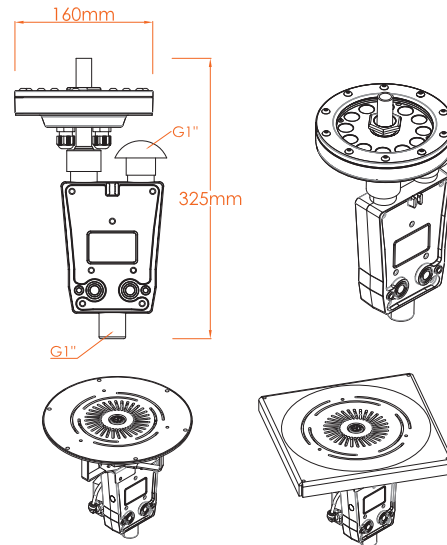


AquaSWITCH



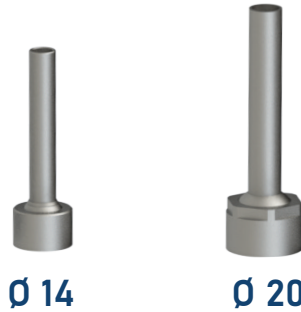
With our new system, no additional control card is needed. The solenoid control circuit has been combined with the lighting unit. There is a lighting range from 4.5W to 56W.

Schematic :



i More detail for DryDECK options please see page 40&41

NOZZLE TYPE



HEIGHT	I / min	Bar	I / min	Bar
2.00 :	58	0,89	156	0,44
4.00 :	82	1,84	204	0,84
6.00 :	105	3,82	244	1,24

TECHNICAL DETAILS

MODEL :	AquaSWITCH
DIMENSION (LxWxH) :	160x200x350 mm
MATERIAL :	Stainless Steel
WEIGHT :	3.5 kg
POWER & DMX :	Combo Cable
MAX INLET :	1" NPT
PRODUCT NO :	1041

COMPATIBLE ELEMENTS AND ACCESSORIES

PRODUCT GROUP SEE

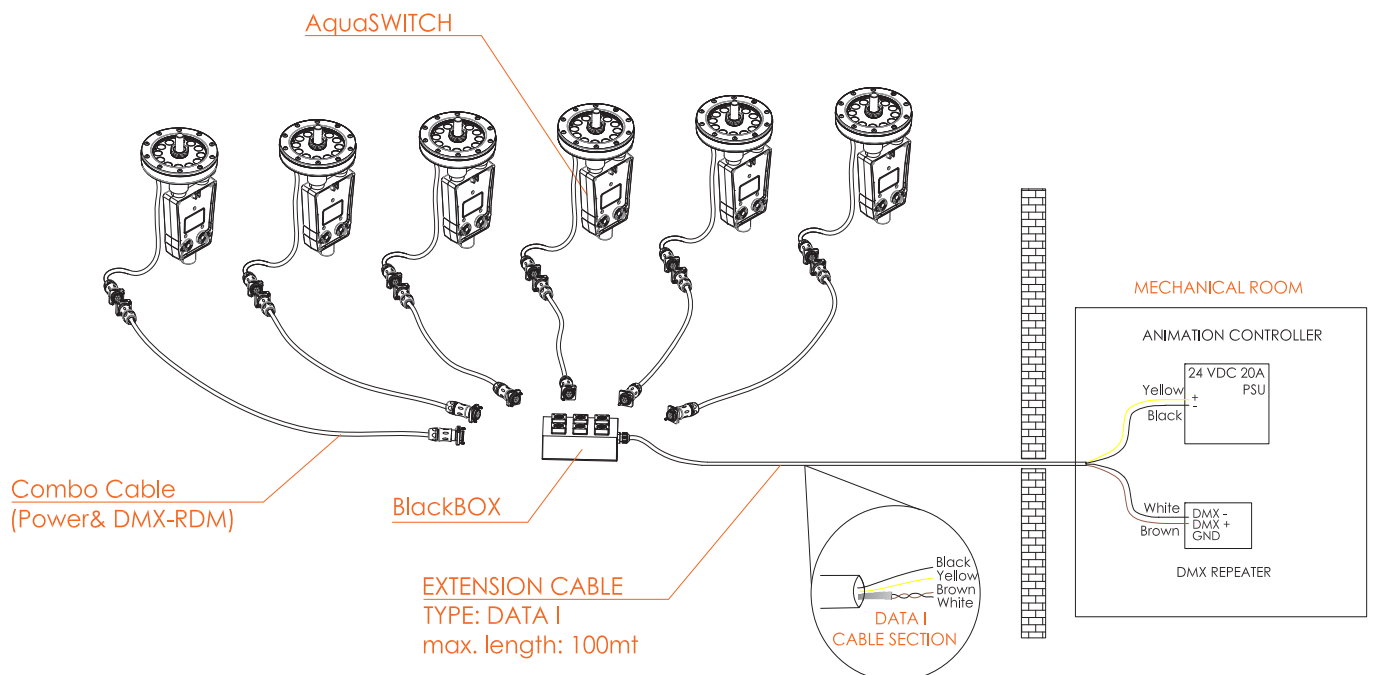
Nozzles : Accessory nozzles

Connection : Connection accessories

Controlling : Control accessories

Holder and Stand : Holder and Stand Accs.

Lighting : Lighting Series



AquaSWITCH DRYDECK



The Perfect Addition to Reflection Ponds



This type is mostly used for interactive entertainment purposes. While there are different types, the core principle remains the same. It is primarily designed for children, ensuring safety without compromising enjoyment.

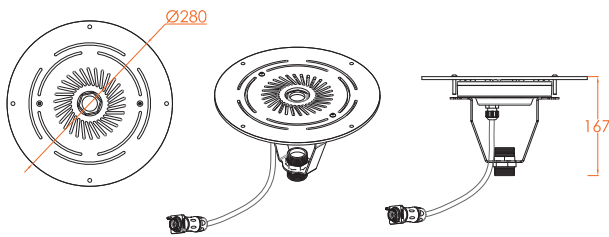
There is also a more professional version used for light and water shows. This version shoots higher and includes lights, enhancing its visual appeal.

TECHNICAL DETAILS

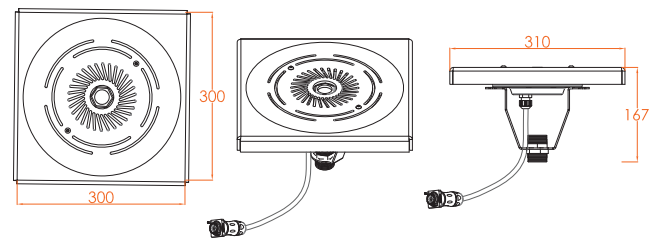
MODEL :	DryDECK T-SWITCH
DIMENSION (lxWxH) :	300x300x350 mm
MATERIAL :	Stainless Steel
WEIGHT :	7 kg
POWER & DMX :	Combo Cable
VOLTAGE :	24 VDC
MAX PRESSURE :	1 Bar
CURRENT :	0.8 A



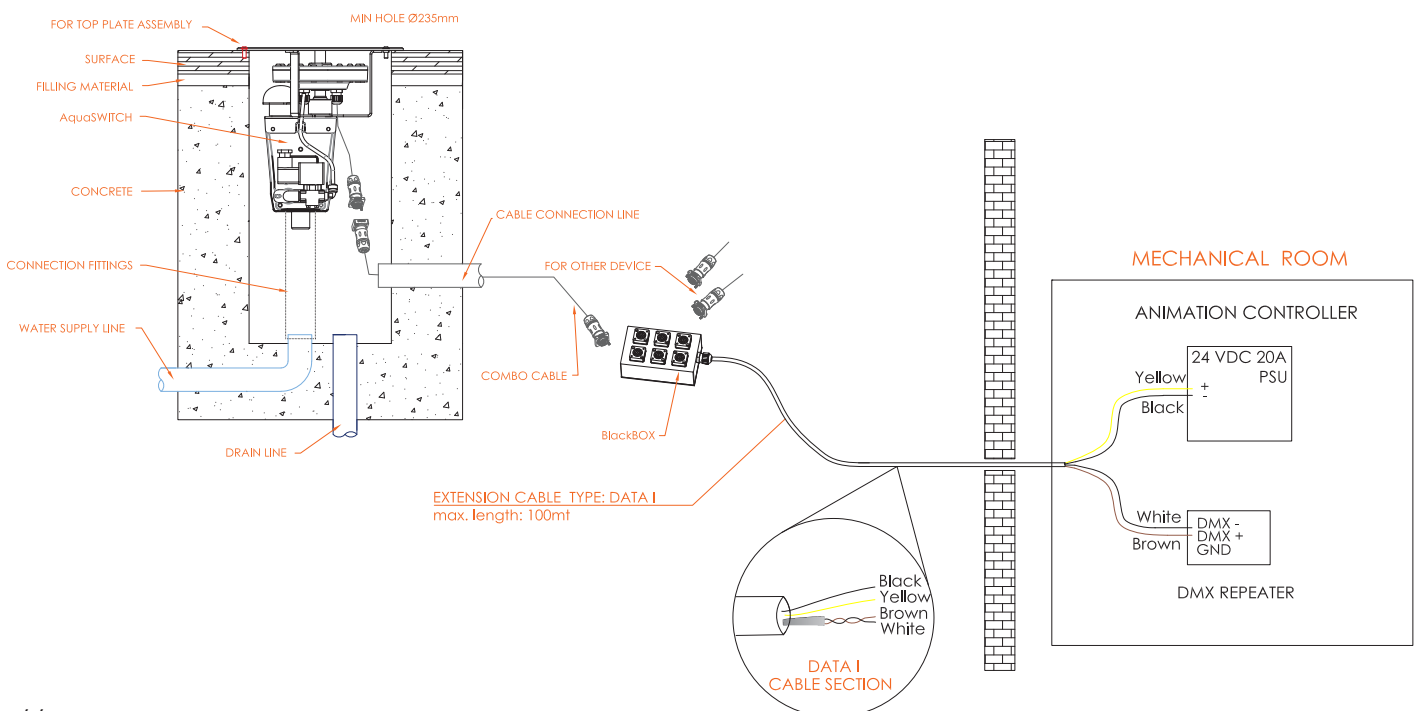
Top Plate Options :



- i** Top Plate thickness is 5mm.
Top Plate Round Ø 280 with Top Plate Holder.



- i** Top Plate thickness is 30 mm.
Top Plate Round 30x30 with Top Plate Holder.



AquaSWITCH DRYDECK BUCKET

The Perfect Addition to Reflection Ponds



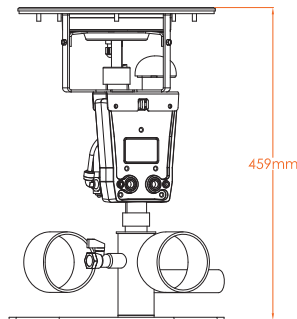
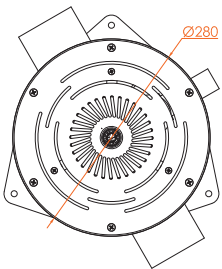
Instead of the classic two-solenoid control, the DryDECK Switch features a special plastic engineering body that allows water flow to be controlled with just one solenoid. This design reduces the on-off time to 0.1 seconds, resulting in more lively animations. It also improves efficiency and simplifies maintenance. Furthermore, this innovative approach enhances durability and performance in various applications.

TECHNICAL DETAILS

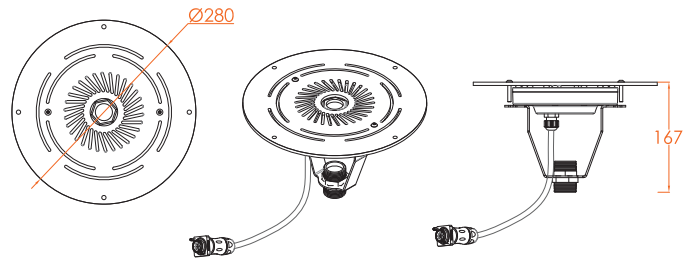
MODEL :	AquaSWITCH D.D Bucket
DIMENSION (ØxH) :	280x459 mm
MATERIAL :	Stainless Steel
WEIGHT :	11 kg
POWER & DMX :	Combo Cable
CURRENT :	0.8 A
POWER :	18 W
VOLTAGE :	24 VDC
MAX PRESSURE :	1 Bar



Schematic :



Top Plate Options :



i Top Plate thickness is 5mm.

i Top Plate thickness is 5mm.
Top Plate Round Ø 280 with Top Plate Holder.

