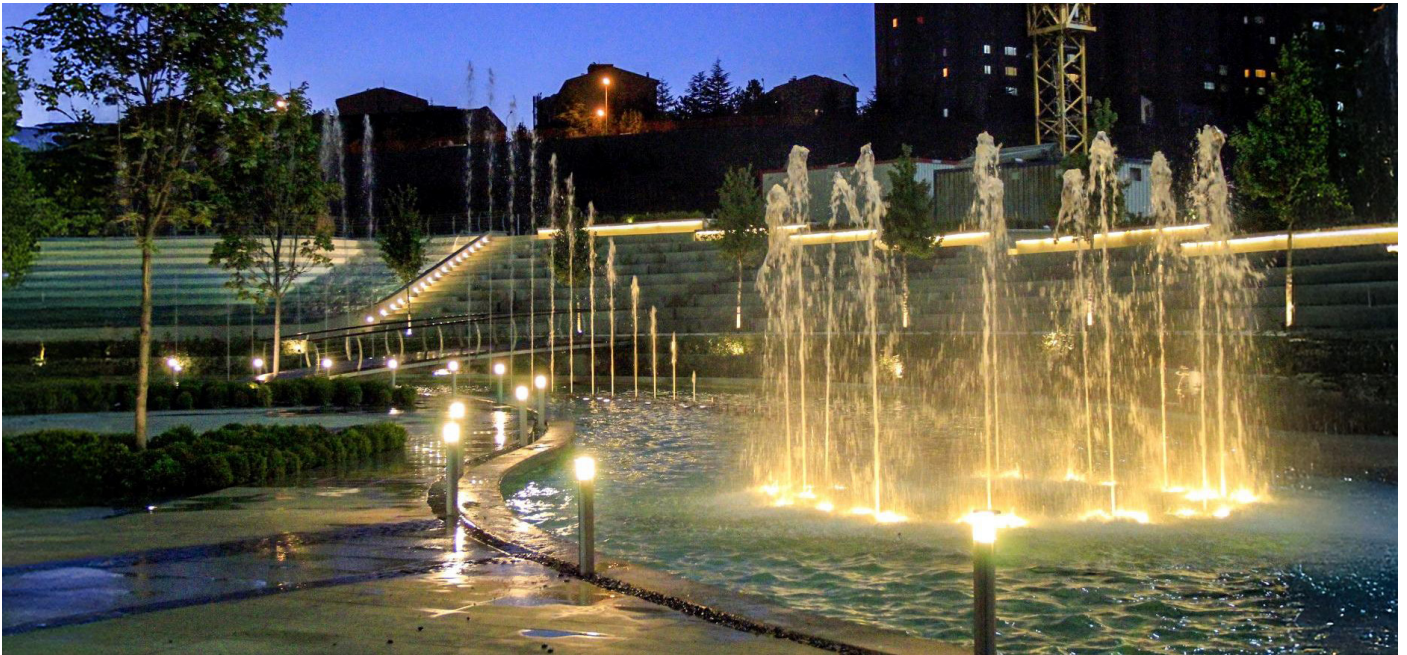


AquaSWITCH

Dynamic Water Patterns for Every Setting



Our Solenoid-Controlled AquaSWITCH nozzle is specifically designed for show fountains system, delivering exceptional performance without pressure loss or water hammer effects. This advanced nozzle enables rapid operation, allowing you to create captivating water displays at a moment's notice. It's the perfect choice for show fountains, especially DryDeck applications, and decorative water features. Enhance your aquatic displays with this easily installed nozzle and enjoy a seamless performance at every show !

- ✓ Run-Stop Function with quick response time
- ✓ 24VDC Powered & IP68 Socket Connection
- ✓ DMX-RDM Speed Controlled
- ✓ Synchronorm Dependence Library available
- ✓ Run-Stop Function
- ✓ AquaLIGHTxC (Optional)
- ✓ Power-saving electrical valve technology

DMX →
← RDM

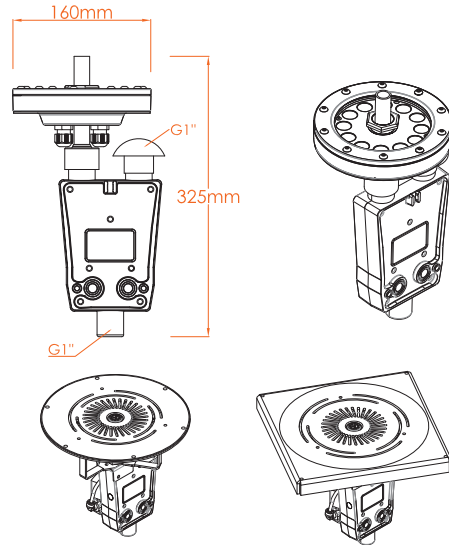


AquaSWITCH



With our new system, no additional control card is needed. The solenoid control circuit has been combined with the lighting unit. There is a lighting range from 4.5W to 56W.

Schematic :



NOZZLE TYPE



HEIGHT	I / min	Bar	I / min	Bar
2.00 :	58	0,89	156	0,44
4.00 :	82	1,84	204	0,84
6.00 :	105	3,82	244	1,24

i More detail for DryDECK options please see page 40&41

TECHNICAL DETAILS

MODEL :	AquaSWITCH
DIMENSION (LxWxH) :	160x200x350 mm
MATERIAL :	Stainless Steel
WEIGHT :	3.5 kg
POWER & DMX :	Combo Cable
MAX INLET :	1" NPT
PRODUCT NO :	1041

COMPATIBLE ELEMENTS AND ACCESSORIES

PRODUCT GROUP SEE

Nozzles : Accessory nozzles

Connection : Connection accessories

Controlling : Control accessories

Holder and Stand : Holder and Stand Accs.

Lighting : Lighting Series

